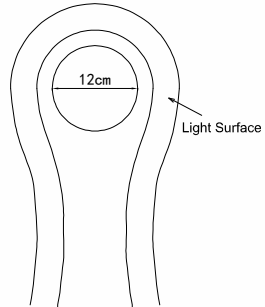


# TOPVIEW LED NEON STRIP

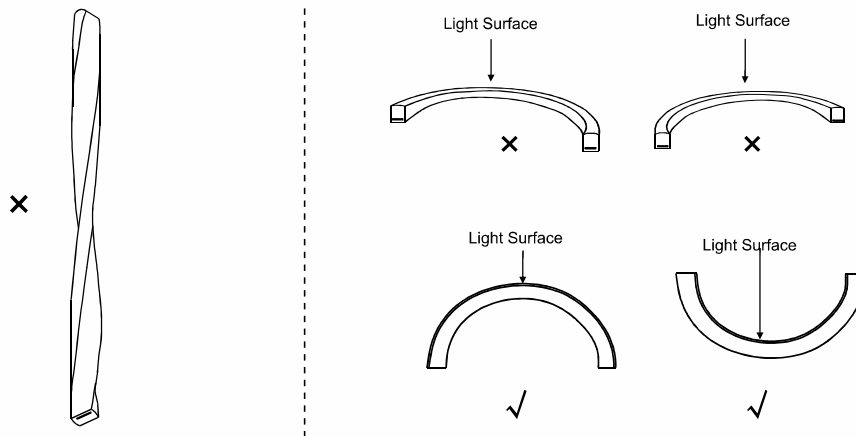
ITEM NO. : F16A

## A. Bending Direction

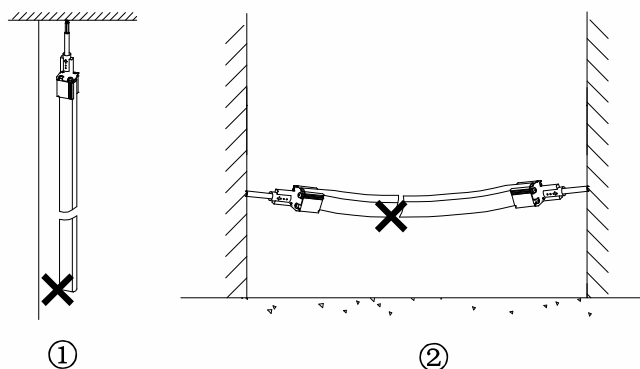
A.1 The minimum bending diameter is 12cm.



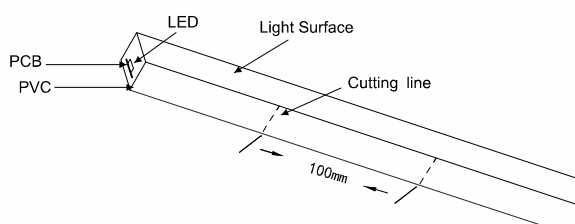
## A.2 Wrong Bending and correct bending



## A.3 Installation and Bending as followed are forbidden



## A.4 Structure Guide

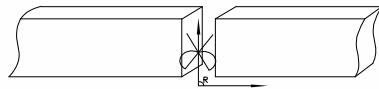


# TOPVIEW LED NEON STRIP

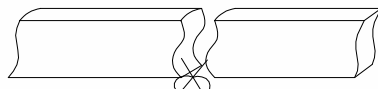
ITEM NO. : F16A

## B. DIY Accessory Assembling

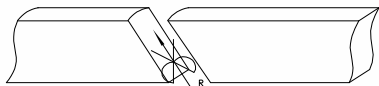
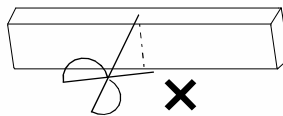
### B.1 Cutting Attention



The correct cutting way,  $R=90^\circ$  ✓



Wave cutting is incorrect ✗

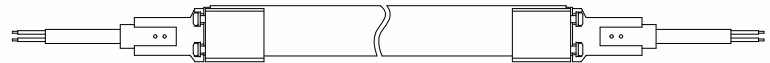


$R \neq 90^\circ$  is incorrect ✗

Single end connection for Max. 10 meters

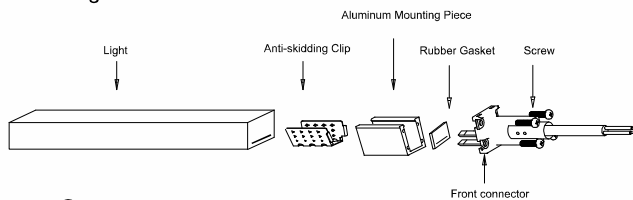


Double end connection for Max. 20 meters

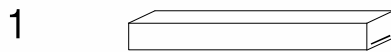


### B.2 Front Connector Assemble

#### Diagram

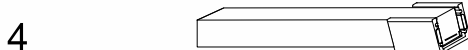
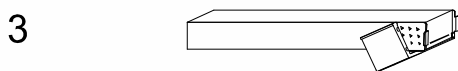


#### Step



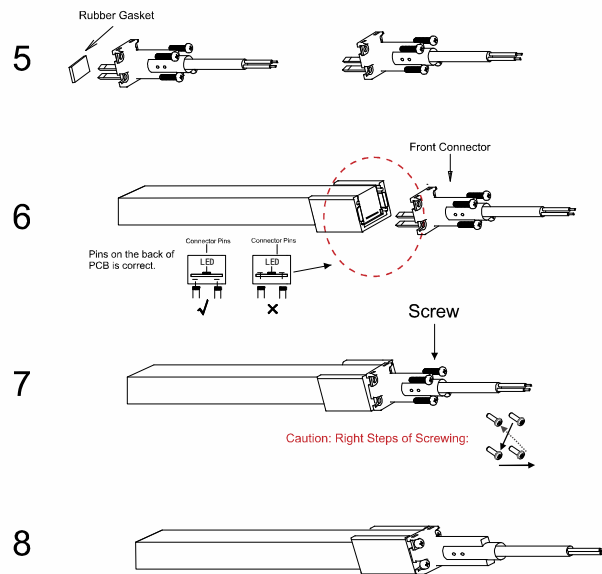
No obvious gaps between bottom and end of Anti-skidding clip and light.

Aluminum Mounting Piece →

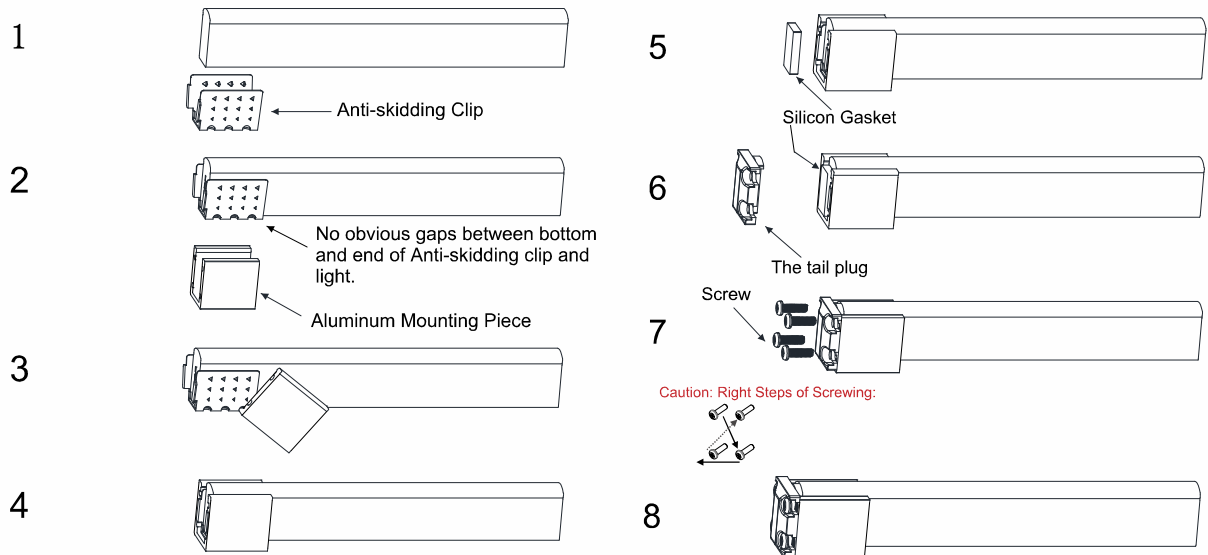
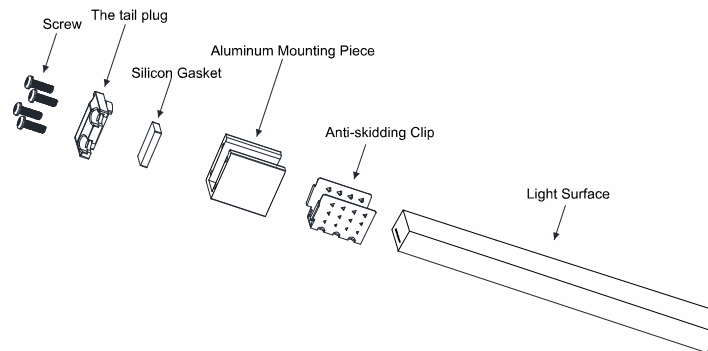


# TOPVIEW LED NEON STRIP

ITEM NO. : F16A



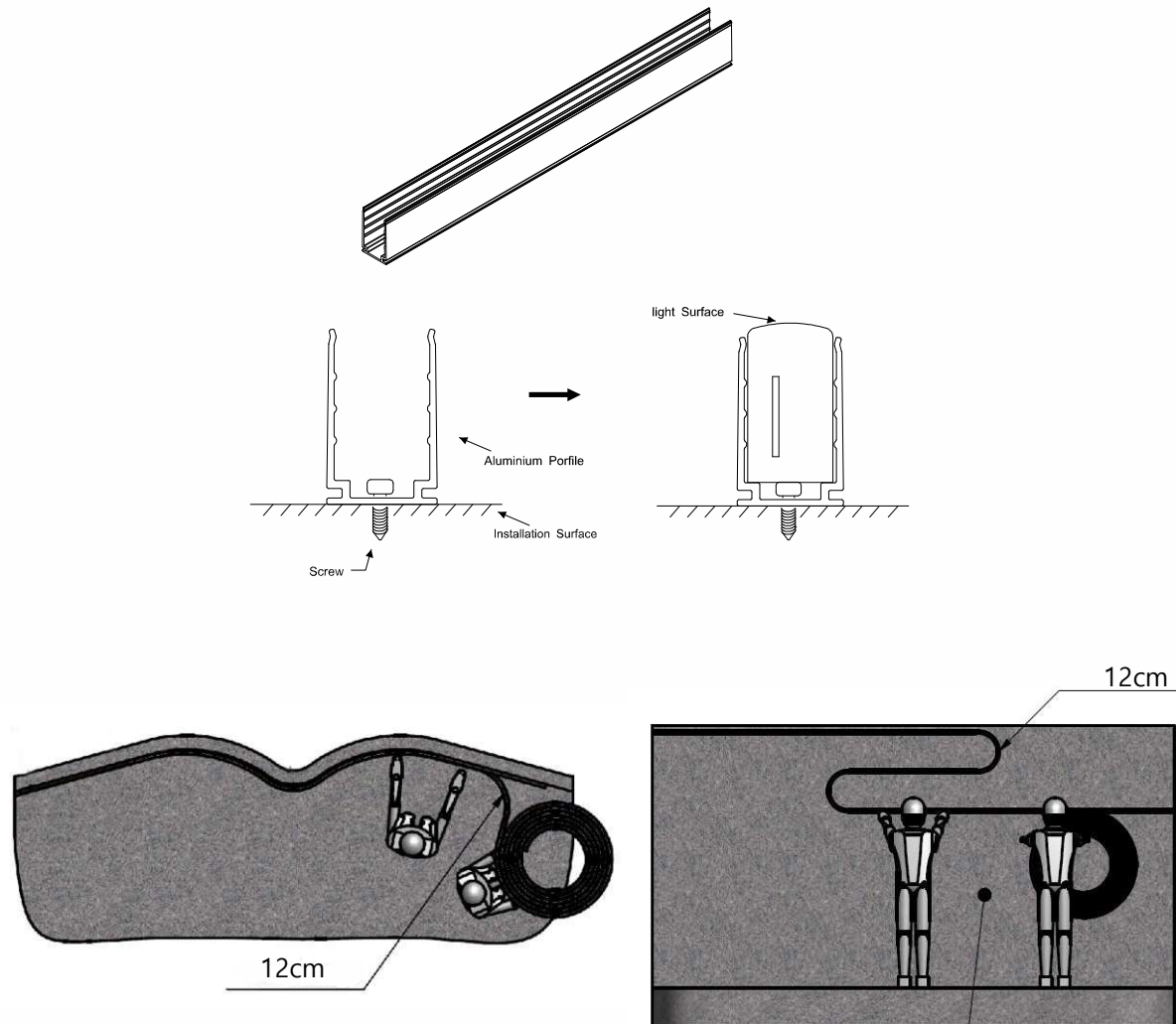
## B.3 End Connector Assemble



# TOPVIEW LED NEON STRIP

ITEM NO. : F16A

## C. Mounting



Handling with two persons are required

## D. PRECAUTIONS

- Do not over extend the min. & max. bend radius.
- Although products do not generate a great amount of heat, it is recommended that you do not cover or conceal it.
- Do not puncture, cut, shorten or splice LED neon outside of the designated cutting marks.
- Do not route LED flex neon through walls, doors, windows, or building structures.
- Do not roll out LED flex neon on rough surfaces and over sharp corners. This will scratch the PVC optic.
- Do not use the product if outer PVC jacket is damaged, loose connections, or if the wire is visible without insulation.
- Do not secure the product with staples, nails, or like means that might damage the insulation or PVC material.
- Do not installed LED flex neon on/in places where it is subject to continuous flexing.
- Do not operate/run LED flex neon in temperatures exceeding 45C or 115F.
- Do not operate LED flex neon over the specified voltage or LED life degradation will be greatly increased.
- Do not leave any part of the LED flex neon unsecured. Movement over time from weather can cause damage from continuous movement.
- All led neon ip68 rated connectors must be assembled properly to obtain rating.
- Do not reverse polarity when connecting from both ends. This will damage the internal PCB board. Always test connections with your multi-meter.
- Do not energize LED flex neon in the reel package.
- LED flex neon can be cut only where marked. Look for "Dotted Line" or "Scissor Mark". Cutting outside of the specified mark will damage the light.
- Do not cut while the LED flex neon is connected with power.